

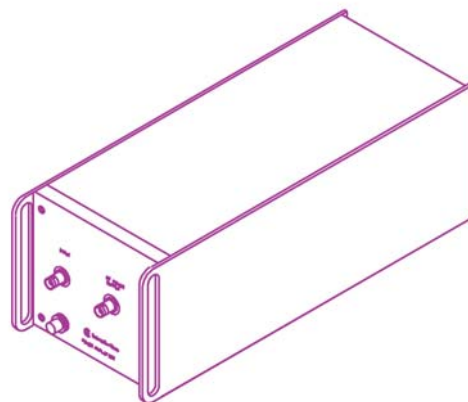
MODEL PA-4 RF POWER AMPLIFIER

DESCRIPTION

The Model PA-4 is a linear class A broadband RF power amplifier capable of four Watts power output over the frequency range of 10 MHz to 100 MHz. The amplifier includes the power supply, RFI line filter, and line switch.

It can be used to increase the RF power capability of laboratory signal generators, sweep generators, frequency synthesizers, and other signal sources.

The Model PA-4 can also be used to drive acousto-optic modulators, deflectors, and mode lockers. It can also be used for antenna and component testing, for line drivers in signal distribution networks, and for RFI/EMI testing.



SPECIFICATIONS

Operation	Class A
Frequency Range	10 MHz to 100 MHz
Power Output	4 watts CW (+36 dBm) into 50 ohms
Flatness	1 dB at 4 watts
Power Gain	40 dB minimum
Input Impedance	50 ohms, VSWR 1.5:1 max.
Output Impedance	50 ohms, VSWR 2.0:1 max.
Harmonic Distortion	Minus 20 dBc maximum at 4 Watts
Intermodulation Distortion	IM products minus 25 dBc at 2 Watts
Noise Figure	8 dB typical
Mismatch Tolerance	100%
RF Connectors	BNC
Primary Power	115/230 VAC, 50/60 Hz
Weight	8 Lbs (3.7 Kg)
Size	12.5 D x 5.0 W x 5.5 H inches
	31.8 D x 5.1 W x 5.5 H cm

OEM drivers available - please contact us with your requirements